

CABIN AIR FILTERS

Dust & Pollen Filter - A6

REMOVAL & INSTALLATION

NOTE: Manufacturer's terminology for this filter is dust and pollen filter.

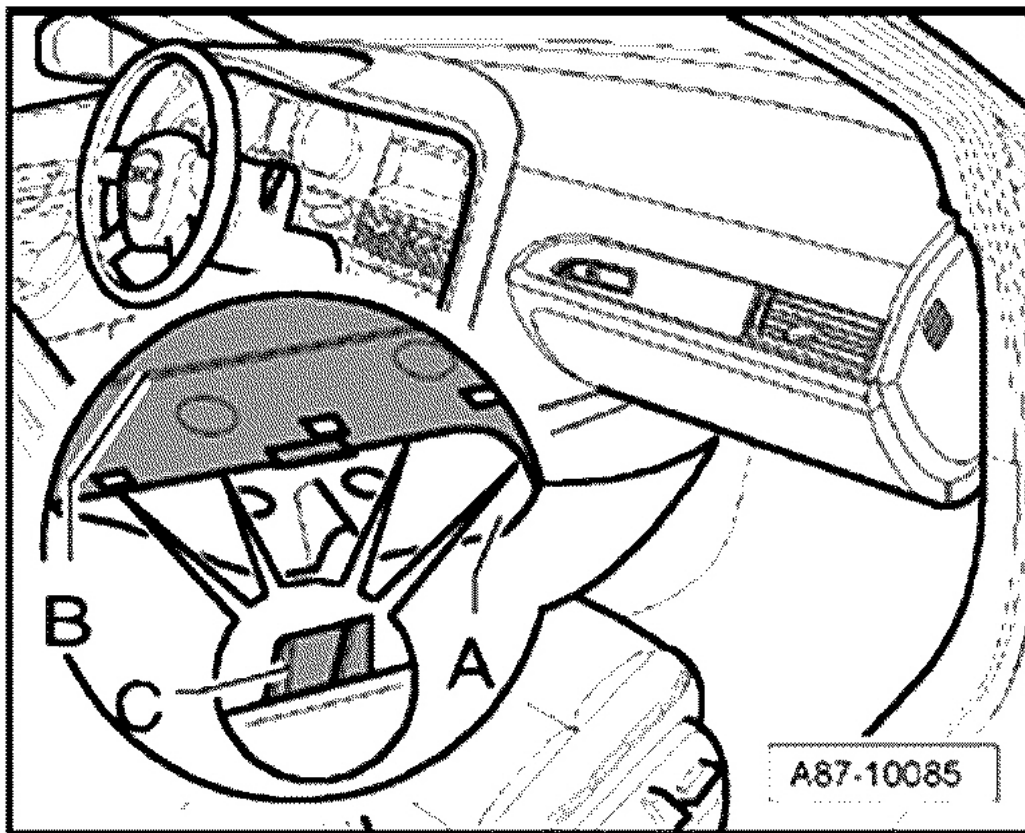
CABIN AIR FILTER

CAUTION: There are different versions of the dust and pollen filter, with or without charcoal insert. Both filters have different air resistance. Use the correct version.

Removal & Installation (2005-2007)

NOTE: Depending on vehicle equipment, it may be necessary on certain versions (with certain special features, such as taxis or police cars) to remove the glove compartment (eventually, certain other additional control modules installed in this area will have to be removed).

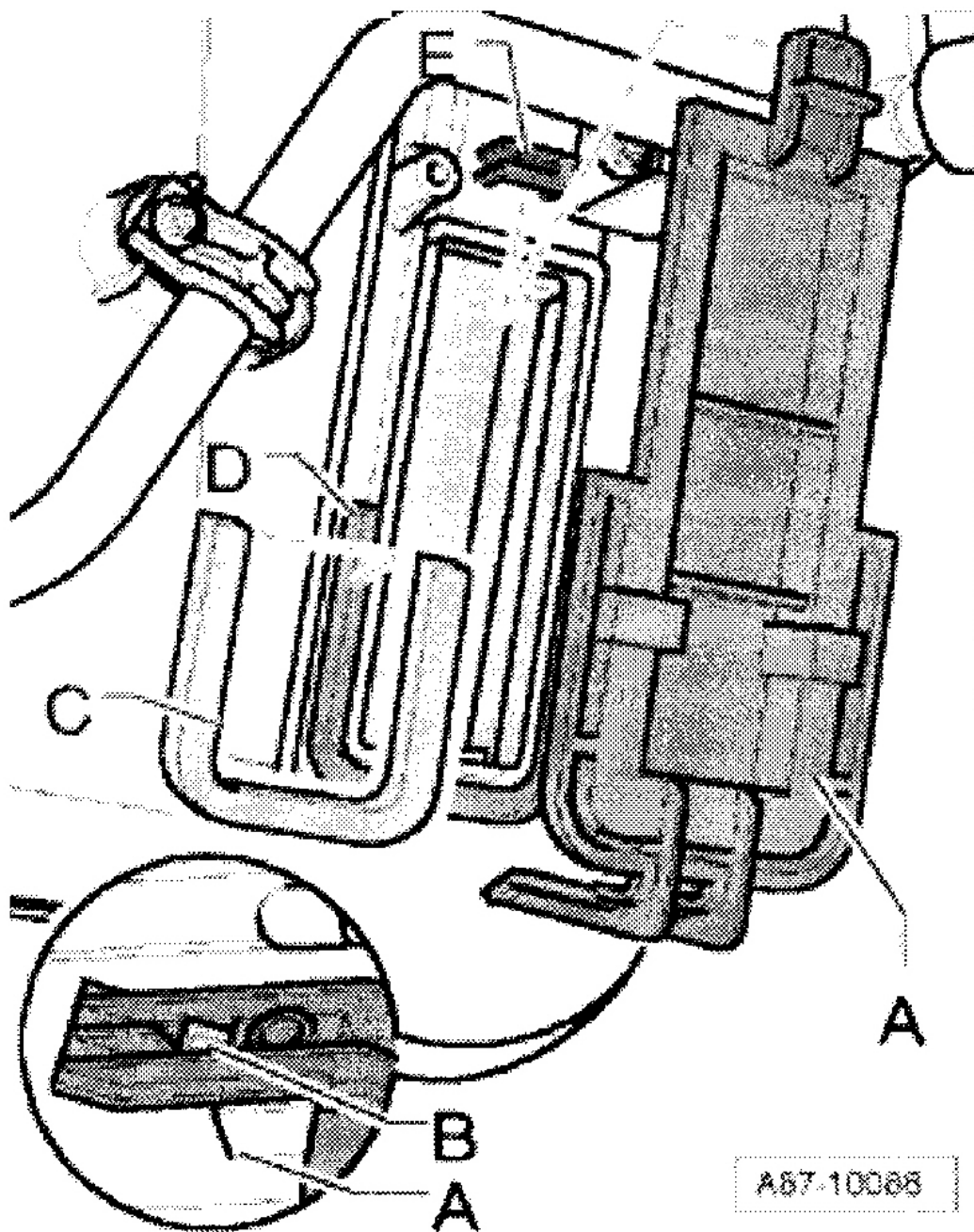
1. Remove lid -A- from lower glove compartment cover -B-. See **Fig. 1**. The lid -A- is held by 4 latches on bottom glove compartment cover -B-. These latches may be difficult to release. Be careful that you do not damage the bottom glove compartment cover -B- when removing. Cover passenger-side floor mat with paper in area under air conditioning unit duct for dust and pollen filter.



G00435483

Fig. 1: Removing Lid From Lower Glove Compartment Cover
Courtesy of AUDI OF AMERICA, INC.

2. Loosen catches -B- and remove dust and pollen filter cover -A- from air conditioning unit. See **Fig. 2**.

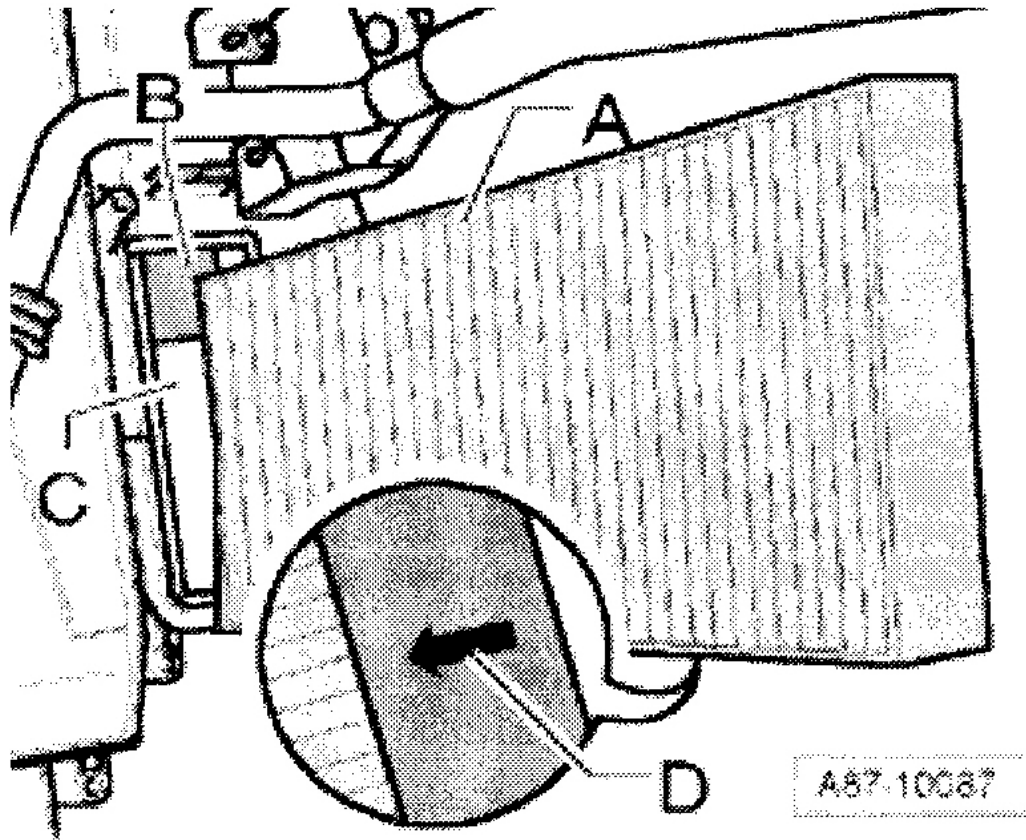


G00435484

Fig. 2: Removing/Installing Dust & Pollen Filter Cover
Courtesy of AUDI OF AMERICA, INC.

3. Remove first part of dust and pollen filter -A- from air conditioning unit. See **Fig. 3**.

NOTE: Two identically constructed filter inserts are installed one on top of the other in the air conditioning unit.



G00435485

Fig. 3: Removing/Installing Dust & Pollen Filters
Courtesy of AUDI OF AMERICA, INC.

4. Grasp inside air conditioning unit duct -C- and pull second part of dust and pollen filter -B- (at tab) down and then out of duct. See **Fig. 3**. Clean air conditioning unit installation duct -C- for dust and pollen filter of leaves, dust and other contaminants with a vacuum.
5. Place first part -B- of dust and pollen filter in air conditioning unit duct -C- and slide into upper installation position. See **Fig. 3**. Observe flow-through direction (arrows on filter -D- point to evaporator). Hold the first installed part of the dust and pollen filter -B- in upper installation position if necessary, for example, with a steel ruler.
6. Check seal position -C- in groove -D-. Install cover -A-. See **Fig. 2**. Ensure proper seating in mount -E- and latch -B-. Install the rest of the parts removed in reverse order of removal.